

Finger guards



- **Material:** Galvanized or nickel-plated steel wire
- **Note:** Finger guard according to DIN EN ISO 13857 (previously EN 294). Additional finger guards that do not satisfy DIN EN ISO 13857 available on request.

Our finger guards are designed specifically to be used with ebm-papst fans. They combine the highest degree of safety with minimum effect on the operating noise. Please note that the safety-related clearances cannot be guaranteed when finger guards made by other manufacturers are used.

Fan size	Fan series	Type	Order number	Side	Drawing see page
40 x 40	400 F, 400, 420 J	LZ29-1	9920029001	Intake/Outlet	255
50 x 50	500 F	LZ31	9920031000	Intake/Outlet	255
60 x 60	600 F, 620, 630, 600 N, 600 J	LZ28	9920028000	Intake/Outlet	255
		LZ28-1	9920028001		
80 x 80	8450, 8400 N, 8300 N, 8200 J, 8000 N, CoR 8200 J	LZ22-2	9920022002	Intake/Outlet	255
		LZ32-4	9920032004		
		LZ22-N	9920022001		
		LZ32-14	9920145006		
92 x 92	3400 N, 3300 N, 3200 J, 3250 J, 3900, 3000	LZ23	9920023000	Intake/Outlet	255
		LZ23-1	9920023001		
119 x 119	4400 F, 4400 FN, 4300 N, 4400, 4100 N, 4000 N, 4000 Z, 9900	LZ20	9920020000	Intake/Outlet	255
		LZ30	9920030000		256
		LZ30-3	9920030003		
		LZ30-4	9920030004		
	DV 4100	LZ30-4	9920030004	Intake/Outlet	256
127 x 127	DV 5200	LZ35	9920035000	Intake/Outlet	256
	5200 N, 5900	LZ35	9920035000	Intake/Outlet	256
		LZ35-2	9920035002		
135 x 135	5100 N, 5600	LZ25	9920025000	Intake/Outlet	256
140 x 140	5300, 5300 TD	LZ53	9920053000	Intake/Outlet	256
Ø 150	7100 N, 7200 N	LZ24	9920024000	Intake/Outlet	256
		LZ27	9920027000	Intake/Outlet	257
		LZ36	9920036000		
Ø 172	6300 N, 6300 NTD, 6300, 6300 TD	LZ26	9920026000	Intake/Outlet	257
		LZ37	9920037000		
		LZ37-10	9920145004		
		LZ38	9920038000		
	DV 6300	LZ39	9920039000	Outlet side	257
LZ52	9920052000	Intake side			
172 x 150	6400, 6400 TD	LZ38	9920038000	Intake/Outlet	257
172 x 160	DV 6400, DV 6400 TD	LZ38	9920038000	Intake side	257
220 x 200	2200 FTD	LZ22	9920022000	Intake/Outlet	257
Fan unit		LZ38-1	9920038001		257

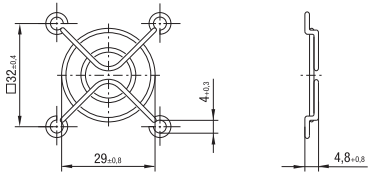
Subject to change

All measurements are given in mm.

Finger guards

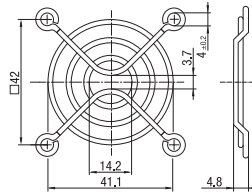
LZ29-1

Fan size 40 x 40



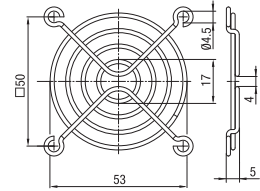
LZ31

Fan size 50 x 50



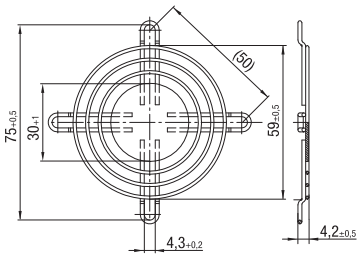
LZ28

Fan size 60 x 60



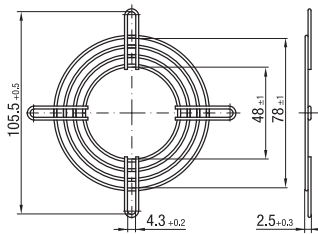
LZ28-1

Fan size 60 x 60



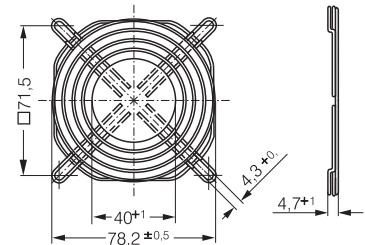
LZ22-2

Fan size 80 x 80



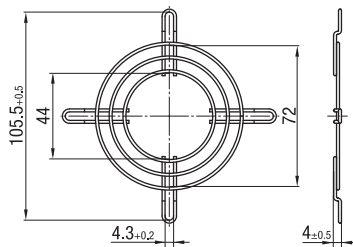
LZ32-4

Fan size 80 x 80



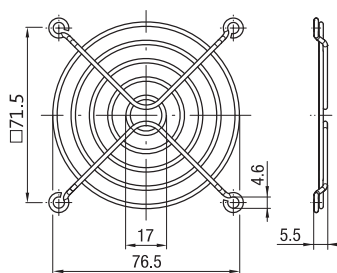
LZ22-N

Fan size 80 x 80



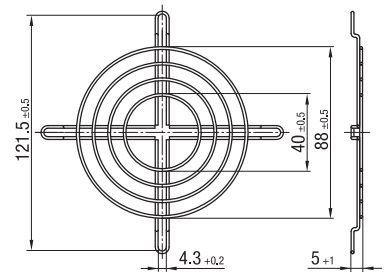
LZ32-14

Fan size 80 x 80



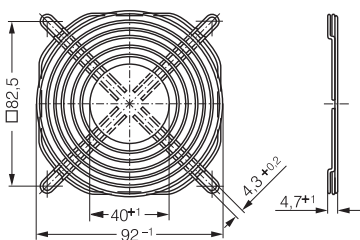
LZ23

Fan size 92 x 92



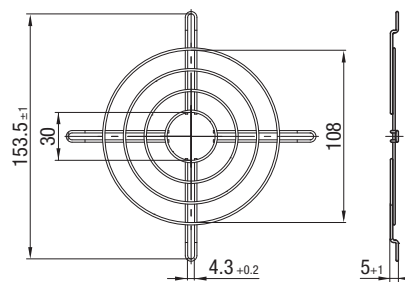
LZ23-1

Fan size 92 x 92



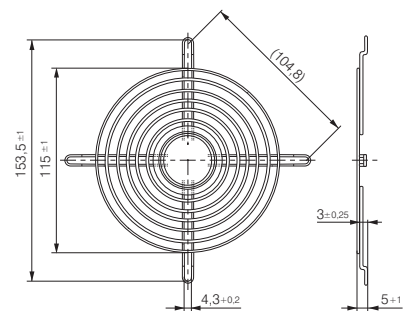
LZ20

Fan size 119 x 119



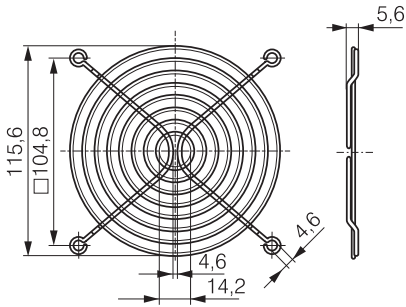
LZ30

Fan size 119 x 119

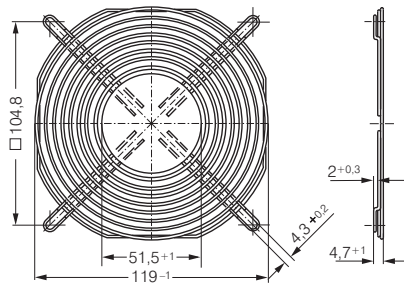


Finger guards

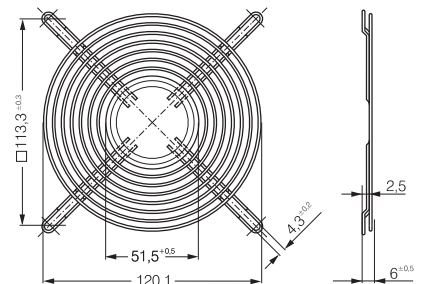
LZ30-3 Fan size 119 x 119



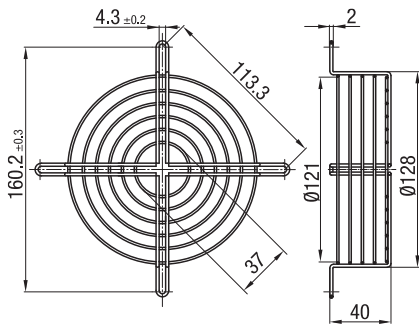
LZ30-4 Fan size 119 x 119



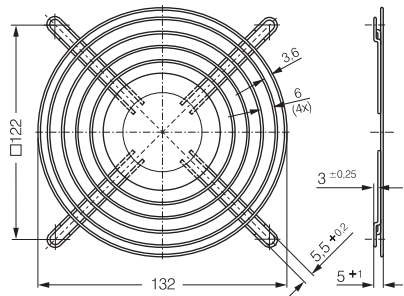
LZ35 Fan size 127 x 127



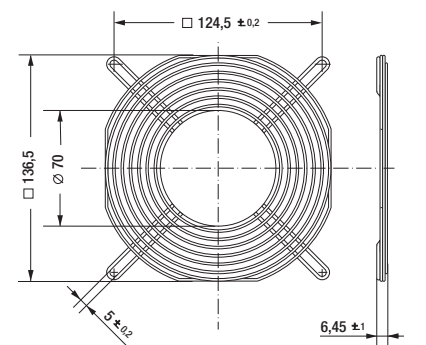
LZ35-2 Fan size 127 x 127



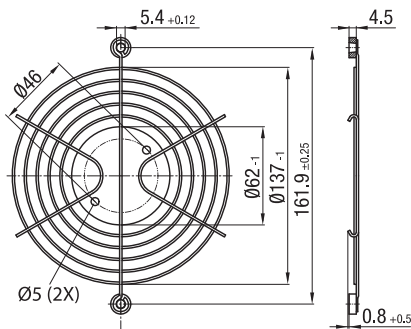
LZ25 Fan size 135 x 135



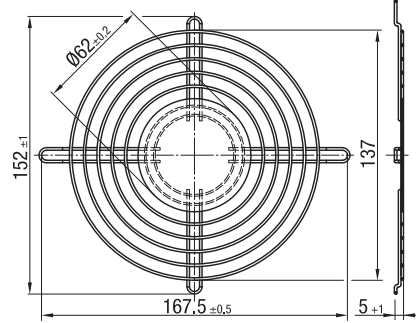
LZ53 Fan size 140 x 140



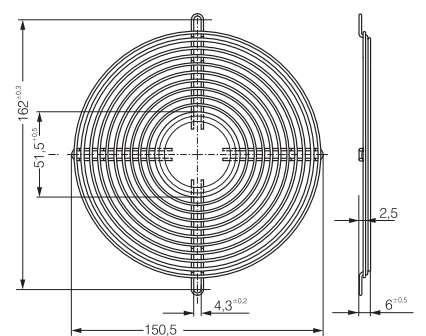
LZ24 Fan size Ø 150



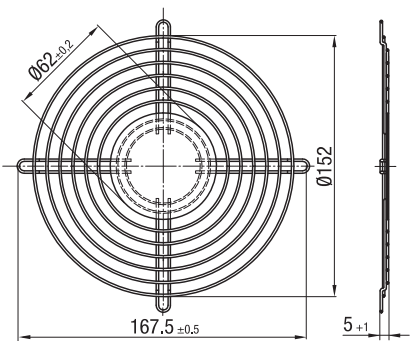
LZ27 Fan size Ø 150



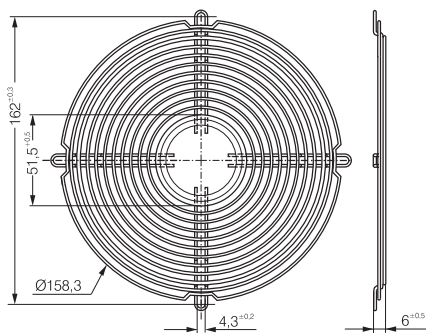
LZ36 Fan size Ø 150



LZ26 Fan size Ø 172



LZ37 Fan size Ø 172



LZ37-10 Fan size Ø 172

