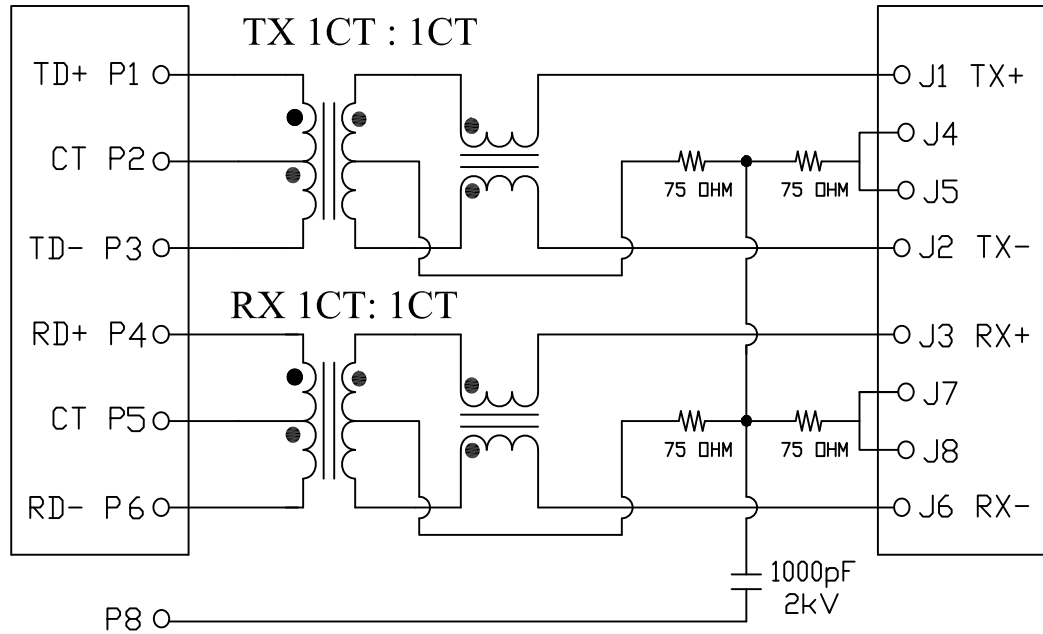


Schematic:

REV.	ECN NO.	DESCRIPTION	DATE	APPD
A	REL		2014/07/07	

LAN CHIP SIDE

RJ CABLE SIDE



Electrical Specifications @ 25°C

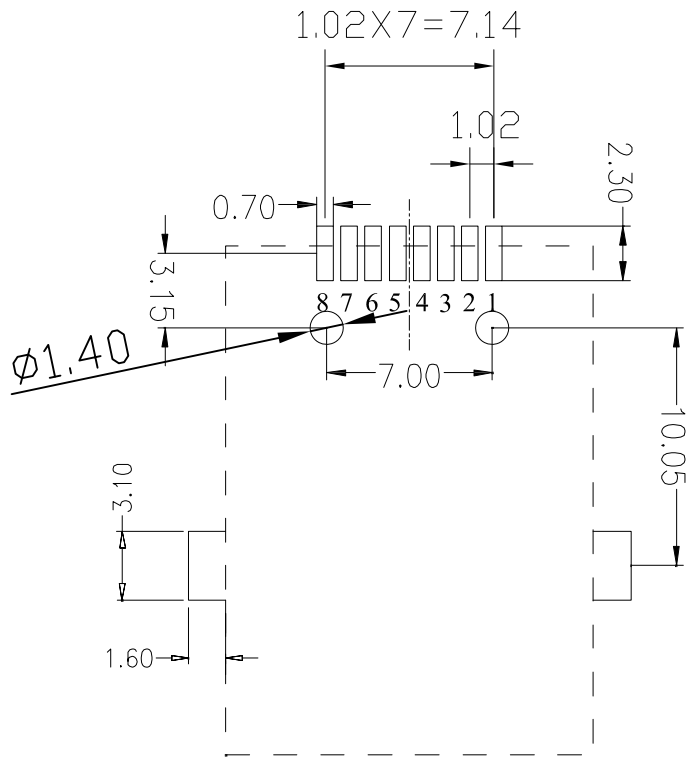
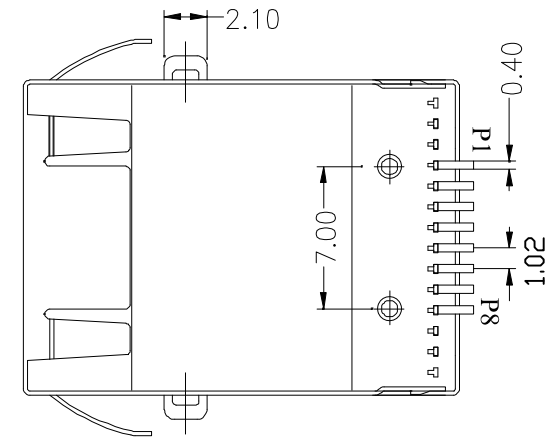
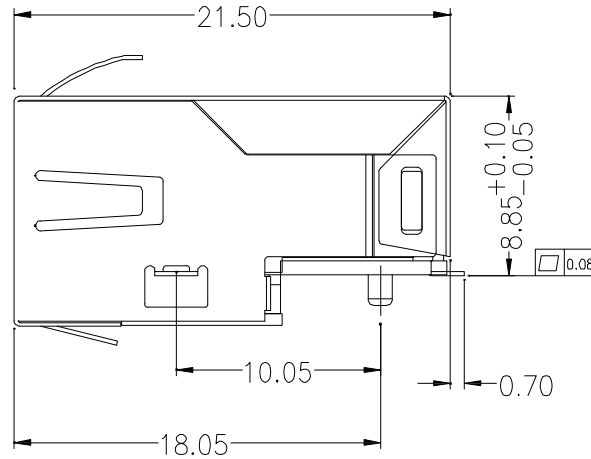
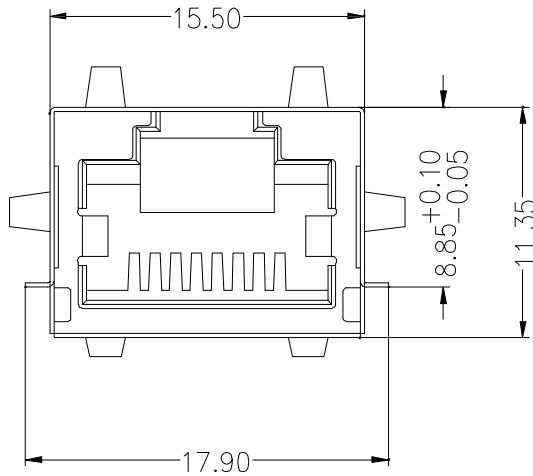
- Turns Ratio (@50KHz, 0.1V):
1CT : 1CT $\pm 2\%$
- INDUCTANCE (@100KHz, 100mV, 8mA DC BIAS):
J1-J2; J3-J6; J4-J5; J7-J8: 350uH Min
- Insertion Loss:
1~100MHz: -1.0dB Max
- Return Loss (dB Min.):
1~30MHz: -18 30~45MHz: -16
45~60MHz: -14 60~80MHz: -12
- Crosstalk:
1~100MHz: -35dB Min
- Common Mode Rejection:
1~100MHz: -35dB Min
- Isolation Voltage: 2250VDC, 1mA, 60Sec
- Operating Temperature Range: -40°C ~ +85°C.



X:X	± 0.38	APPD:	LINK-PP INT'L TECHNOLOGY CO., LIMITED	
X:XX	± 0.25	CHKD:	TITLE: Surface Mount 1x1 Tab-Up Jack With 10/100 Magnetic	
X:XXX	± 0.13	DR: TOM	PART NO.: LPJ19911CNL	
ANGLES	$\pm 1^\circ$	UNIT: mm		
	SCALE: 2/1	SHEET: 1/2	REV: A	DWG NO: LP14070712

Mechanical:

REV.	ECN NO.	DESCRIPTION	DATE	APPD
A	REL		2014/07/07	



Suggested PCB Layout(Component side view)



NOTES:

1. Designed to support application, such as SOHO (ADSL modems), LAN-on-Motherboard (LOM), hub and Switches.
2. Meets IEEE 802.3 specification
3. Connector Materials:
Housing: Thermoplastic UL94V-0
Contact/Shield: Copper alloy
Shield plating: Nickel
Contact plating: Gold 6 micro-inches min. In contact area.
4. For RoHS part add suffix NL
5. Reflow soldering 260°C degC for 5~10 sec.

X:X	±0.38	APPD:	LINK-PP INT'L TECHNOLOGY CO., LIMITED
X:XX	±0.25	CHKD:	
X:XXX	±0.13	DR: TOM	TITLE: Surface Mount 1x1 Tab-Up Jack With 10/100 Magnetic
ANGLES	±1°	UNIT: mm	PART NO.: LPJ19911CNL
	SCALE: 2/1	SHEET: 2/2	REV: A DWG NO: LP14070712