



---

## **Enhanced Digital Echo IC**

---

**PT2395**

### **DESCRIPTION**

PT2395 is a silicon gate CMOS-processed digital echo IC functionally compatible with M50195P. Input signal to PT2395 is converted to digital signal with A-D conversion then stored in the memory (DRAM) chip. After a certain delay time, digital signal is read out from the memory chip and then converted back into analog signal using the D-A conversion. A low cost echo system may thus be achieved with PT2395's A-D converter, D-A converter, incorporating ADM algorithm, while maintaining lower noise, lower distortion, higher S/N ratio as compared to the conventional BBD (Bucket Brigade Device). PT2395 further features enhanced functions such as continuous delay time with external VR (Variable Resistor), 256 K DRAM support for longer delay time (Extended Delay Mode, up to 800 ms at 4 MHz Clock) as compared to M50195P. Moreover, the distortion and the S/N Ratio are further improved.

### **FEATURES**

- CMOS Technology
- Available in 40-pin PDIP Package (600 mil)
- Low Noise, Low Distortion Echo System
- 3-Level Delay Time Selectable, with Indicator Output
- On-chip RC Oscillator for Continuous Delay Time
- 64K/256K DRAM chip support
- Extended Delay Mode up to 800 ms Delay Time (without VR)
- Create fascinating echo effect with time delay

### **APPLICATIONS**

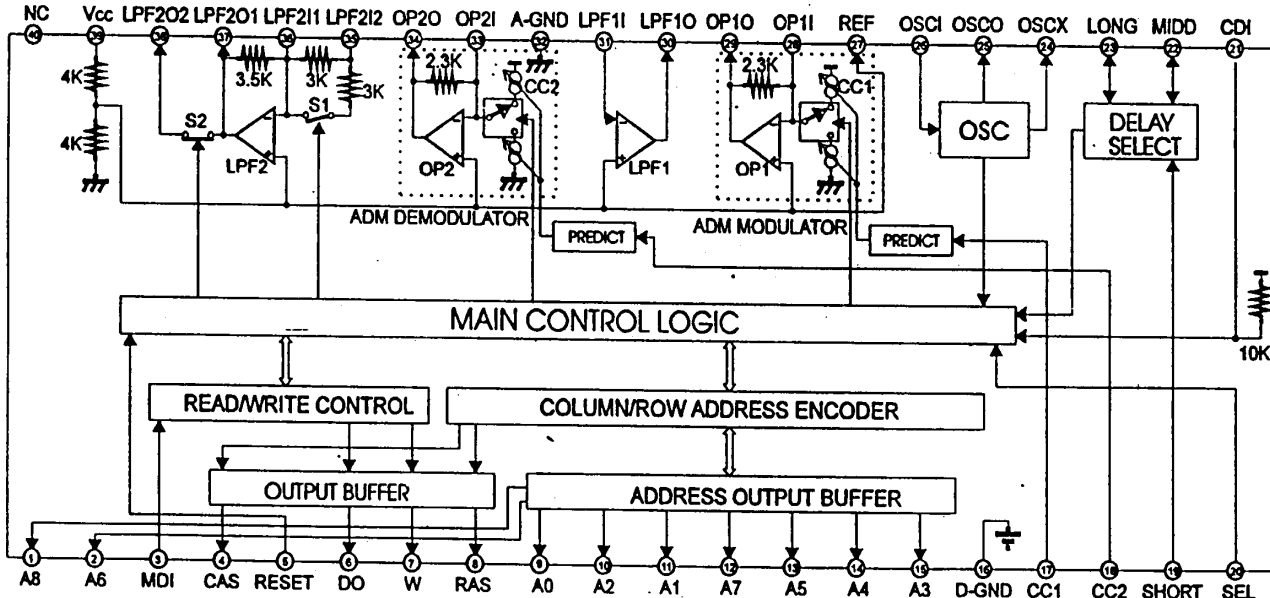
- KARAOKE
- Radio Set
- Video Disc Player
- Electronic Musical Instrument



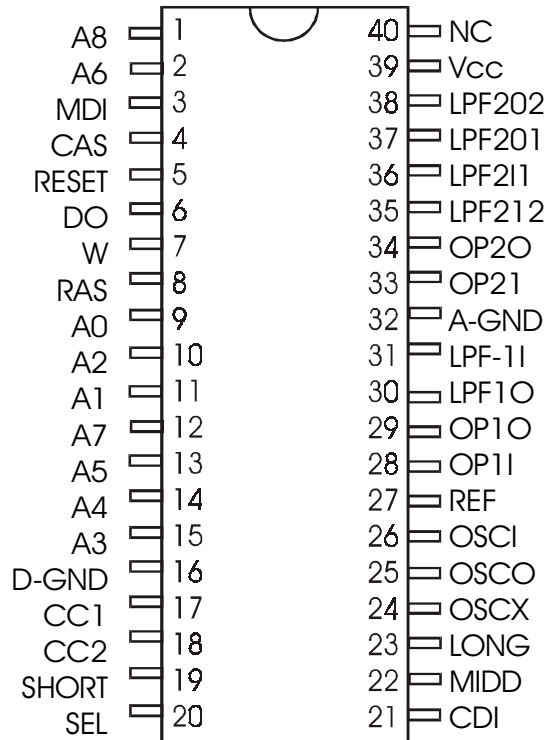
# Enhanced Digital Echo IC

# PT2395

## BLOCK DIAGRAM



## PIN CONFIGURATION



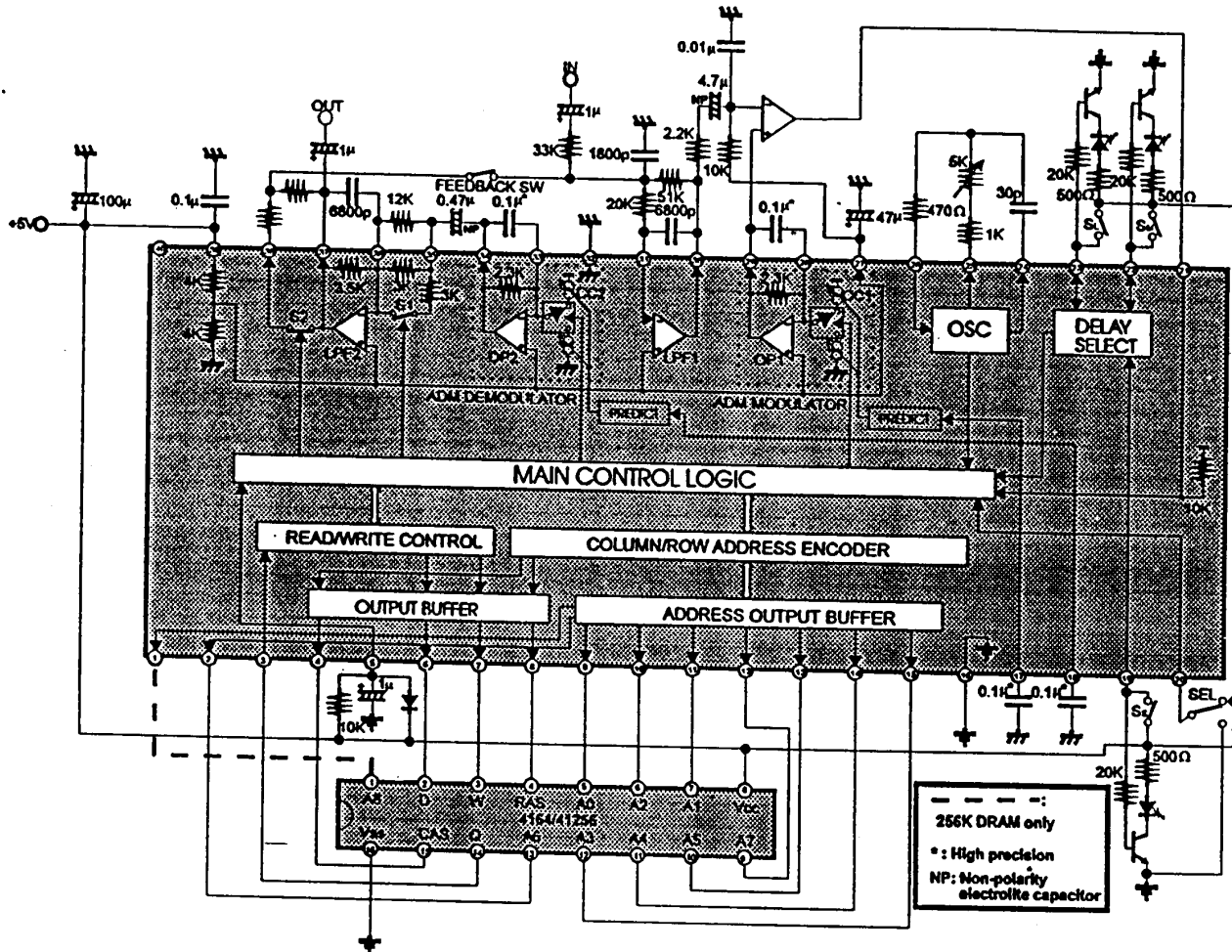
### PT2395



# Enhanced Digital Echo IC

# PT2395

## APPLICATION CIRCUIT





# Enhanced Digital Echo IC

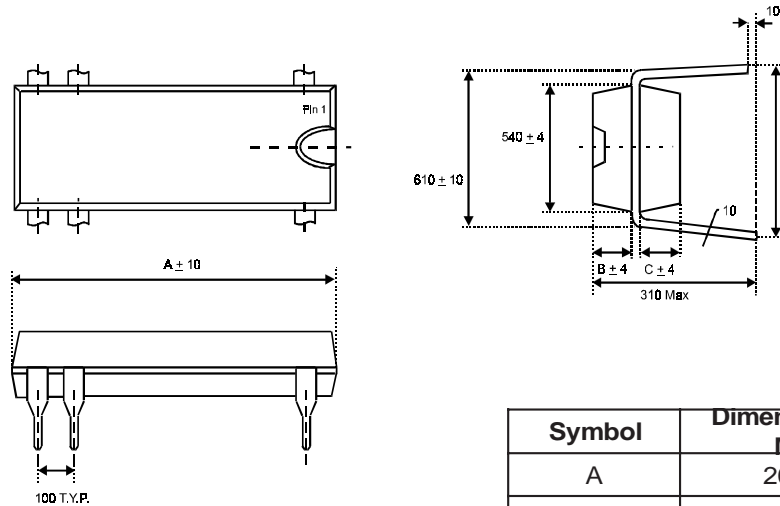
# PT2395

## ORDER INFORMATION

Valid Part Number	Package Type
PT2395	40 PDIP (600 mil)

## PACKAGE INFORMATION

### 40-Pin, DIP Package (600 mil)



Symbol	Dimension in Mil
A	2050
B	70
C	70